

**EFR 7064-B**

**300 - 550 HP Turbo**

EFR SERIES



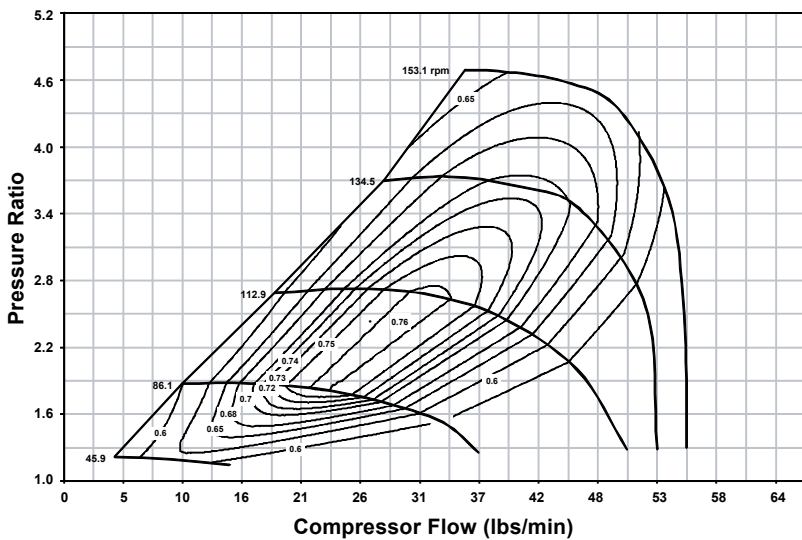
**Key Turbo Features**

- Gamma-Ti turbine wheel
- Dual ceramic ball bearing assembly with metal cage
- Large internal wastegate
- Standard T3 mounting flange

**Not Included with Turbo Assemblies:**

- Speed sensor
- Turbine outlet V-Band
- Turbine inlet gasket
- Oil drain gasket or drain port fitting

**COMPRESSOR MAP**

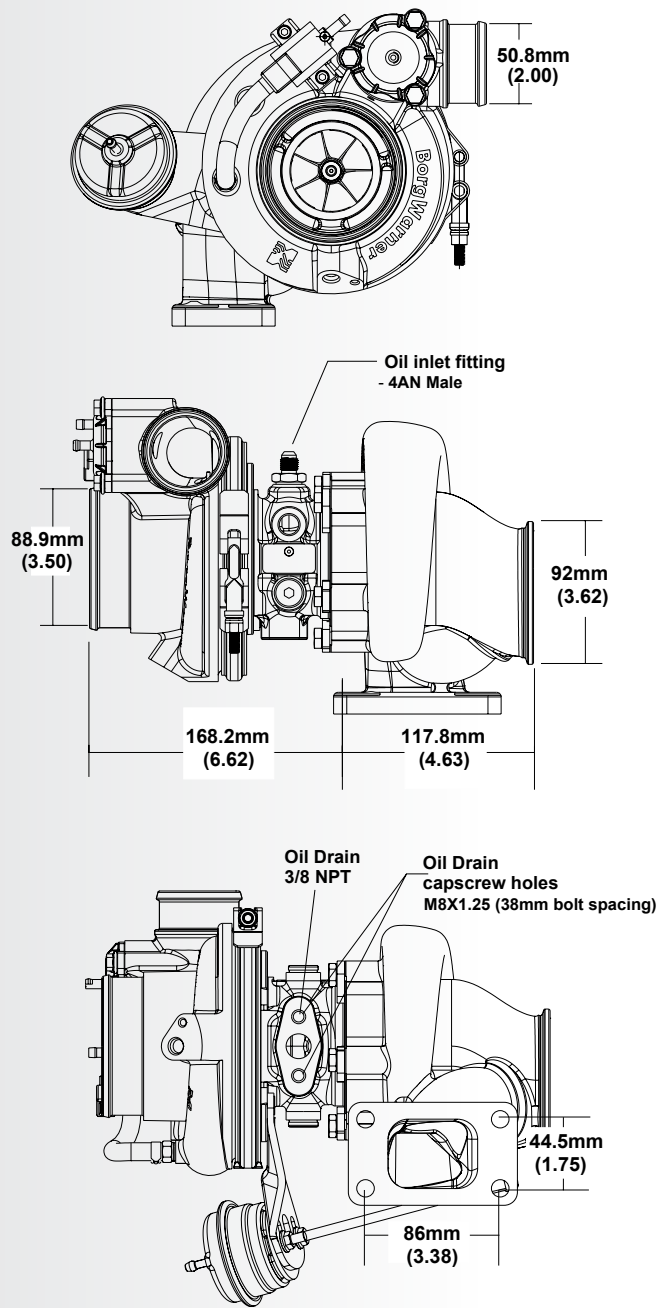


**TURBINE HOUSING OPTIONS**

| Turbine Housing Part Number | A/R  | Inlet Flange Shape | Housing Config     |
|-----------------------------|------|--------------------|--------------------|
| 12641008006                 | 0.83 | T3                 | Single Scroll WG   |
| 12641008007                 | 0.92 | T4                 | Twin Scroll WG     |
| 12641019016                 | 1.05 | T4                 | Twin Scroll Non WG |

| Turbo Part # | Turbo Frame Size | Super Core Part # | Comp. Wheel Outer Dia. (mm) | Comp. Wheel Inducer Dia. | Turbine Wheel Outer Dia. | Turbo A/R | Inlet Flange Config |
|--------------|------------------|-------------------|-----------------------------|--------------------------|--------------------------|-----------|---------------------|
| 179355       | B2               | 179354            | 70                          | 52                       | 64                       | .83       | T3                  |

**TURBO FRAME DIMENSIONS**



**SUPER CORE CONFIGURATION**

The following parts are not included as part of the super-core assembly: turbine housing, assembly clamp plate hardware, wastegate parts.