

**EFR 7670-B**

**375 - 650 HP Turbo**

EFR SERIES



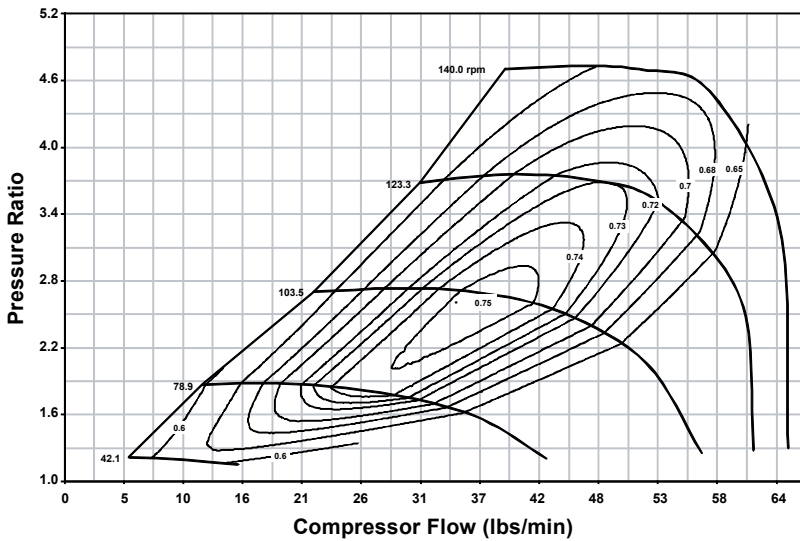
**Key Turbo Features**

- Gamma-Ti turbine wheel
- Dual ceramic ball bearing assembly with metal cage
- Large internal wastegate
- Standard T3 mounting flange

**Not Included with Turbo Assemblies:**

- Speed sensor
- Turbine outlet V-Band
- Turbine inlet gasket
- Oil drain gasket or drain port fitting

**COMPRESSOR MAP**

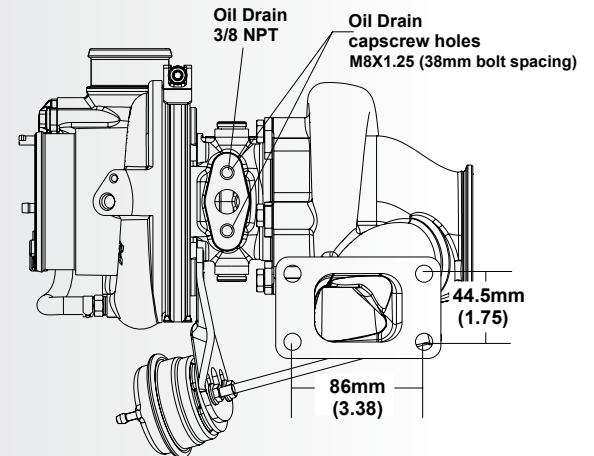
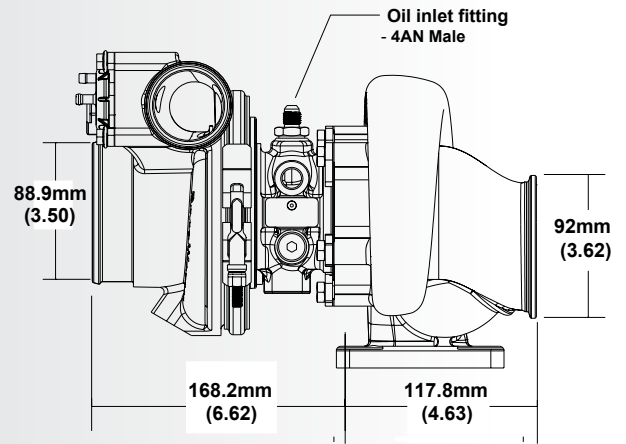
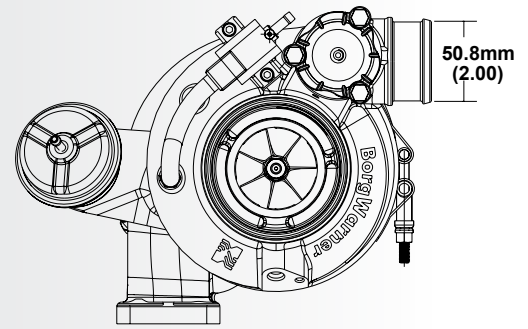


**TURBINE HOUSING OPTIONS**

Turbine Housing Part Number	A/R	Inlet Flange Shape	Housing Config
12701008014	0.83	T3	Single Scroll WG
12701008016	0.92	T4	Twin Scroll WG
12701019047	1.05	T4	Twin Scroll Non-WG

Turbo Part #	Turbo Frame Size	Super Core Part #	Comp. Wheel Outer Dia. (mm)	Comp. Wheel Inducer Dia.	Turbine Wheel Outer Dia.	Turbo A/R	Inlet Flange Config
179351	B2	179350	76	57	70	.83	T3

**TURBO FRAME DIMENSIONS**



**SUPER CORE CONFIGURATION**

The following parts are not included as part of the super-core assembly: turbine housing, assembly clamp plate hardware, wastegate parts.