

S200SX

220 - 580 HP Turbo

AIRWERKS

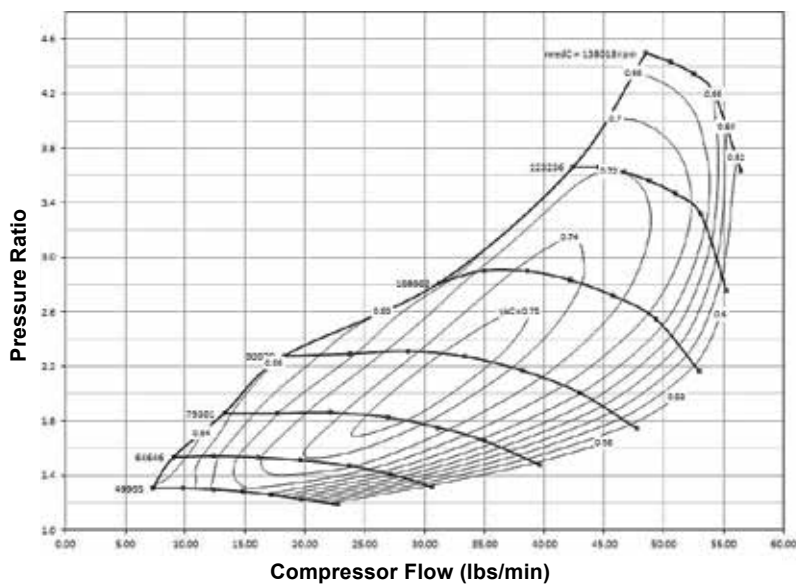


Key Turbo Features

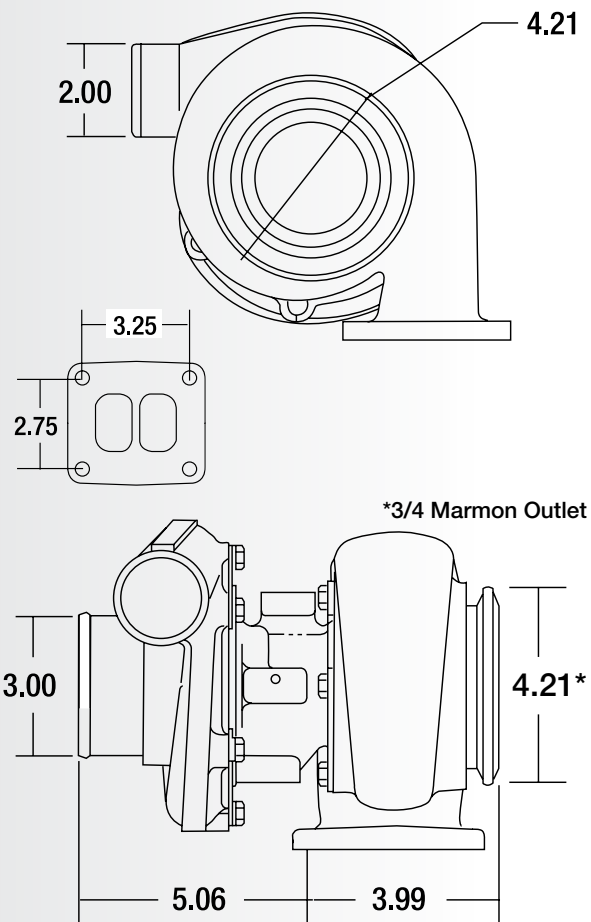
- Twin hydrodynamic journal bearings
- Extended tip technology compressor wheel
- Twin scroll turbine housing
- Adjustable compressor and turbine housing orientation

COMPRESSOR MAP

(Applicable to part number 177268)



TURBO FRAME DIMENSIONS



TURBINE HOUSING

Part #	A/R	Configuratio
177191	0.83	Volute, Twin Flow
177193	1.00	Volute, Twin Flow
177192	1.15	Volute, Twin Flow
177194	1.22	Volute, Twin Flow



Turbo Part #	Comp. Wheel O.D.	Comp Wheel Inducer Dia.	Comp Wheel Inducer Dia. (mm)	Turbine Wheel O.D.	Turbine Wheel O.D. (mm)	Turbine Wheel Exducer	Turbine Wheel Exducer Dia (mm)	Turbine A/R	Turbine Config	Cartridge Assembly	Service Kit
177258	2.74	1.81	46	2.74	70	2.42	61	.83	VTF	176639	318383
177267	2.74	1.95	50	2.74	70	2.42	61	1.09	VTF	176642	318383
177257	2.74	2.00	51	2.74	70	2.42	61	.83	VTF	176638	318383
177268	3.00	2.20	55.8	2.74	70	2.42	61	1.22	VTF	176637	318383
178034*	3.00	2.20	55.8	2.74	70	2.42	61.40	1.22	VTF	N/A	318383
178042*	3.00	2.20	55.8	2.74	70	2.42	61.40	1.27	VTF	N/A	318383

* Compressor inlet diameter 4.00"