

S300SX3

320 - 800 HP Turbo

AIRWERKS



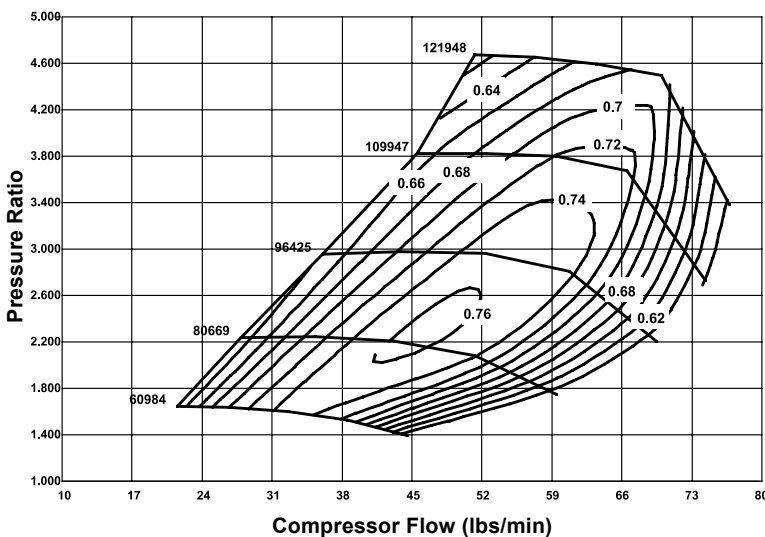
Key Turbo Features

- Twin hydrodynamic journal bearings
- Extended tip technology compressor wheel
- Twin scroll turbine housing options available
- Adjustable compressor and turbine housing orientation
- Compressor cover recirculation grooves

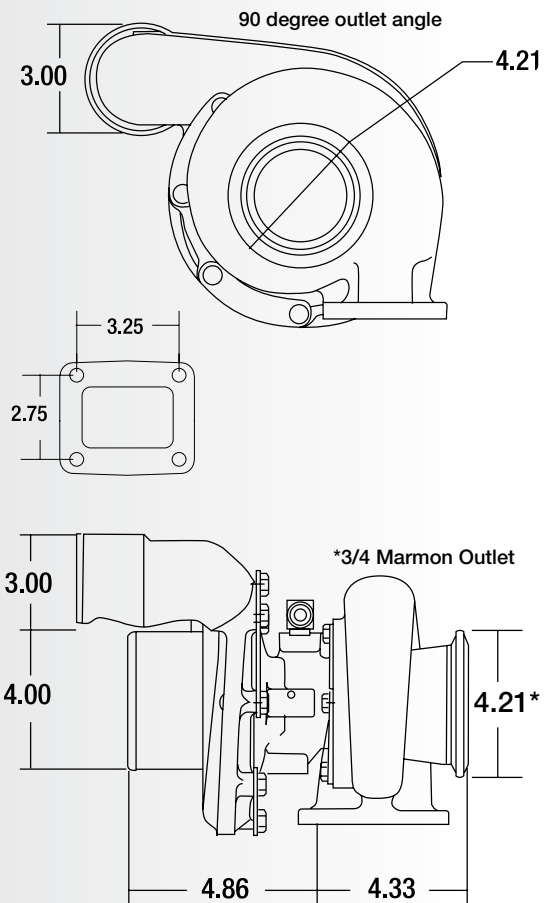


COMPRESSOR MAP

(Applicable to part number 177283)



TURBO FRAME DIMENSIONS



TURBINE HOUSING

Part #	A/R	Configuratio	Notes
177211	0.88	Volute, Open Flow	80mm turbine wheel
177208	0.91	Volute, Twin Flow	
179905	1.00	Volute, Twin Flow	
177210	0.88	Volute, Open Flow	76mm turbine wheel
177207	0.91	Volute, Twin Flow	
177209	1.00	Volute, Twin Flow	

Turbo Part #	Comp. Wheel O.D.	Comp Wheel Inducer Dia.	Comp Wheel Inducer Dia. (mm)	Turbine Wheel O.D.	Turbine Wheel O.D. (mm)	Turbine Wheel Exducer	Turbine Wheel Exducer (mm)	Turbine A/R	Turbine Config	Cartridge Assembly	Service Kit
177280	3.29	2.36	60	3.00	76	2.66	68	.88	VOF	171901	318393
177283	3.44	2.48	63	3.00	76	2.66	68	.88	VOF	176648	318393
177284	3.60	2.60	66	3.14	80	2.89	73	.91	VTF	176650	318393